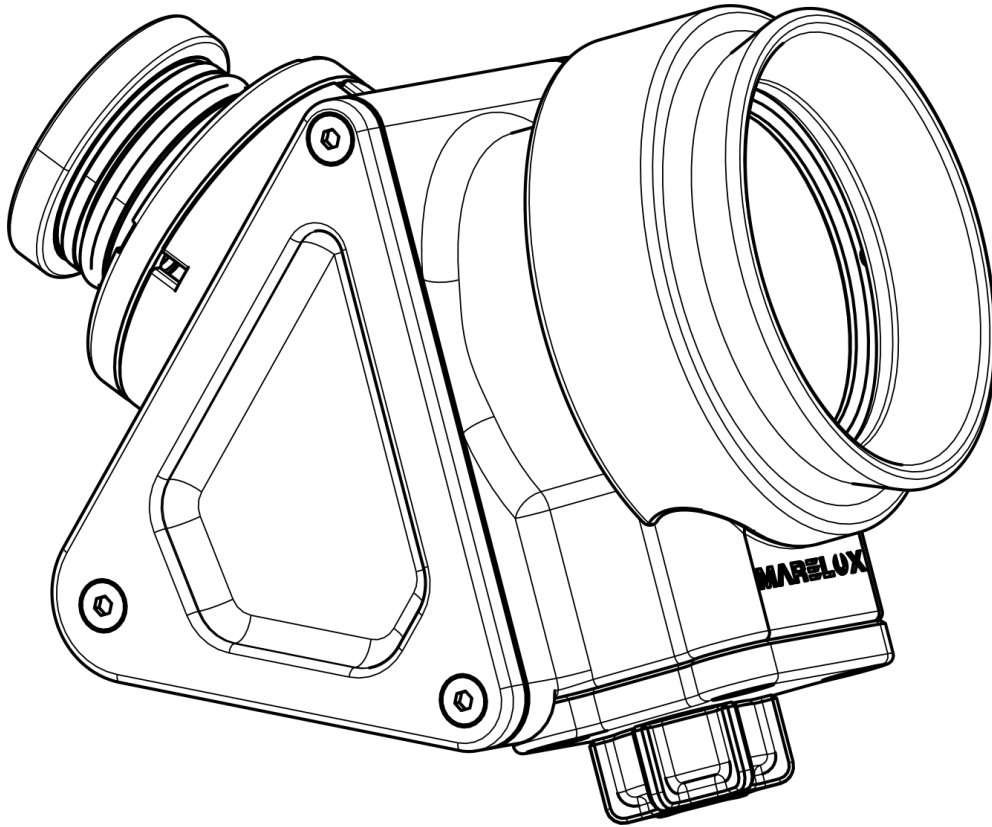


MARELUX

45 Degree Fine Tune Viewfinder (FTVF)

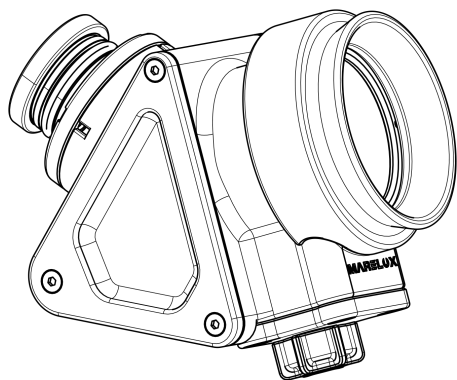


User Manual

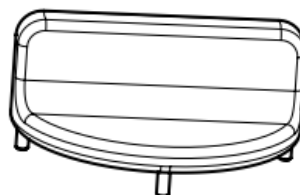
Please read this user manual carefully before starting to use the product, and use the product properly based on the thorough understanding of this user manual.

<https://www.marelux.co/>

Package Contents



45 Degree Fine Tune Viewfinder (FTVF)



Remover Tool

Product Specification:

Material: Optical Glass, Anodized Aluminum Alloy

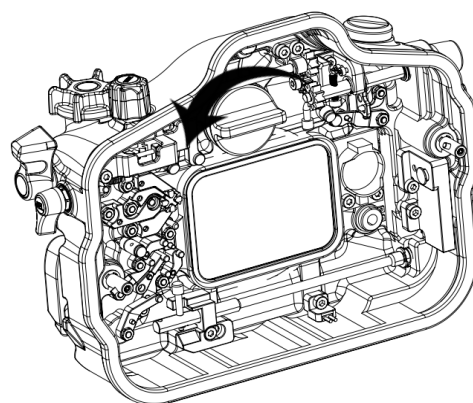
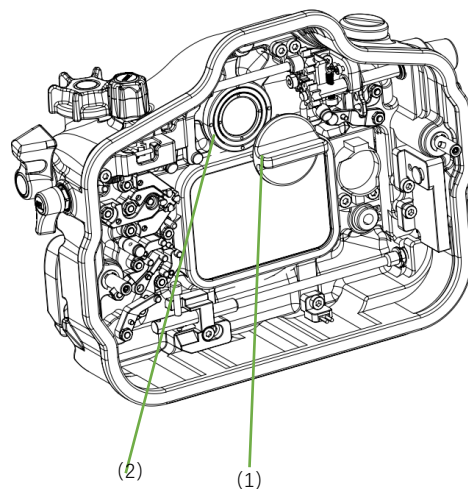
Weight: 506g

Depth Rating: 100m

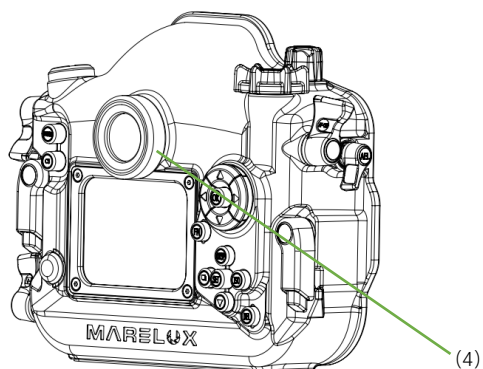
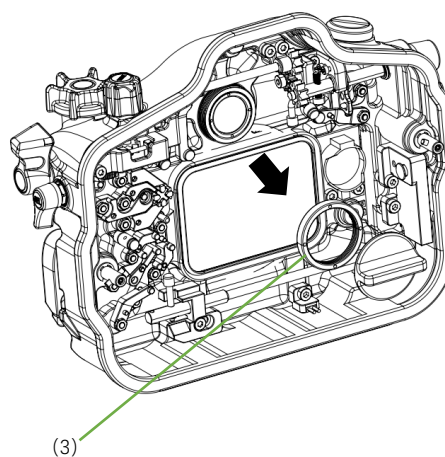
Magnification: 1X (Underwater)

Installation

Align the **Remover Tool** (1) with the ring of the **Optical Viewfinder 0.66x** (2) on the housing, then insert it.

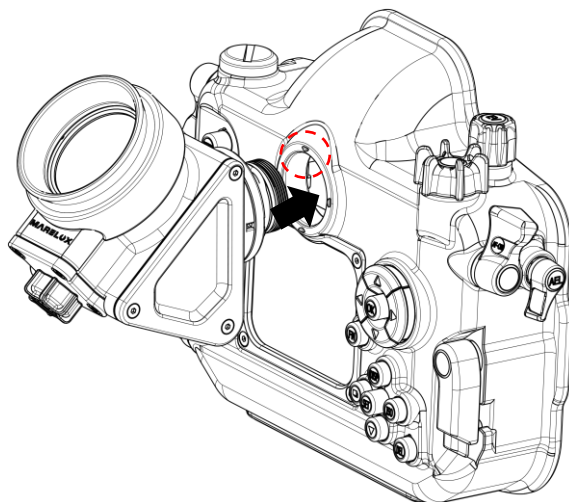


Then rotate the Remover Tool counterclockwise to remove the ring (3) and the Optical Viewfinder 0.66x (4).

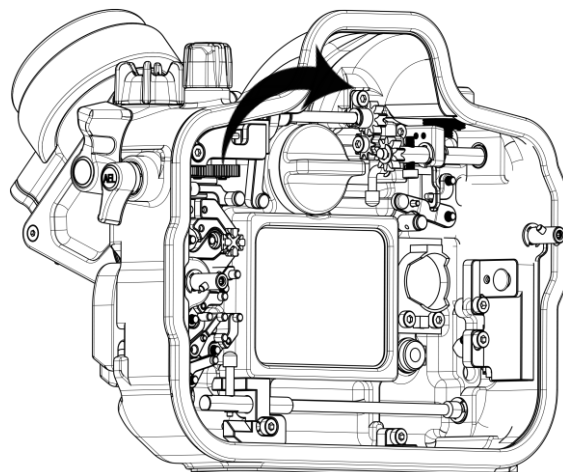
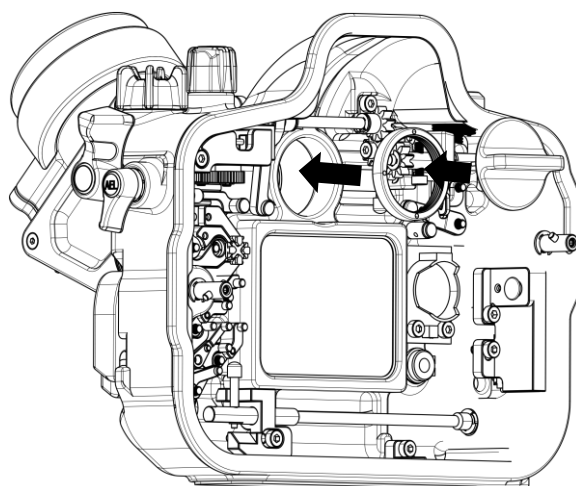


Installation

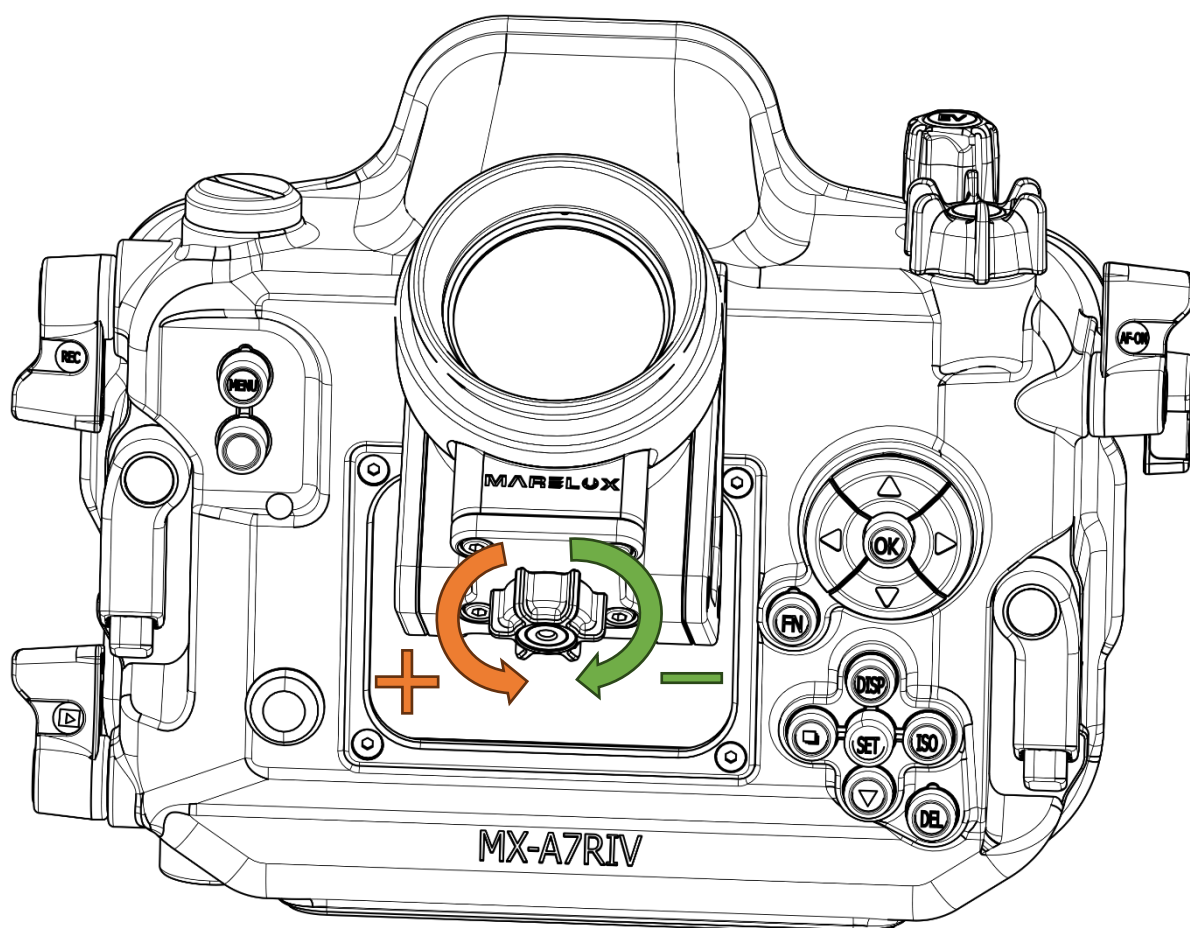
Insert the 45 Degree Fine Tune Viewfinder (FTVF) into the housing.
As shown in the figure, the notch of the viewfinder aligns with the protrusion of the camera housing.



Then use the remover tool to tighten the ring clockwise.



Diopter Adjustment



Rotate the knob counterclockwise to increase diopter and clockwise to decrease diopter.