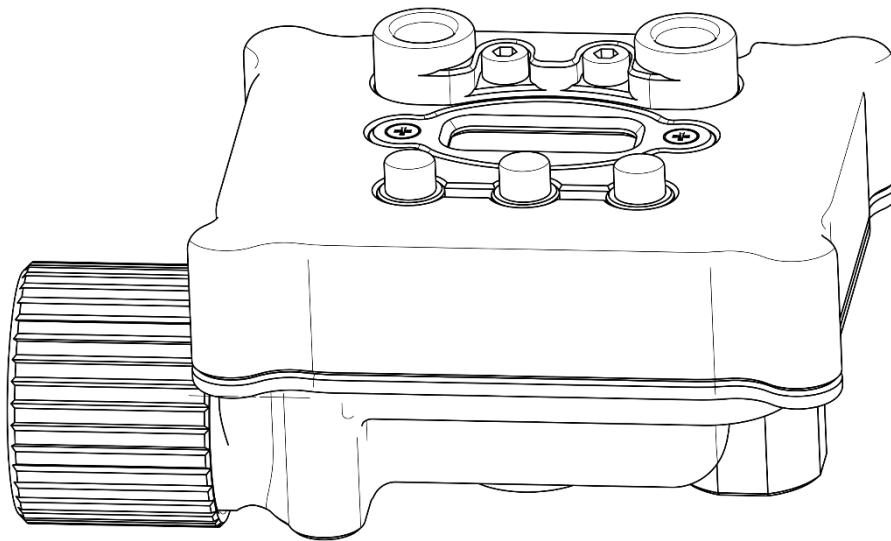


MARELUX

Mirage 20 Multi-Flash Generator



User Manual

Please read this user manual carefully before starting to use the product, and use the product properly based on the thorough understanding of this user manual.

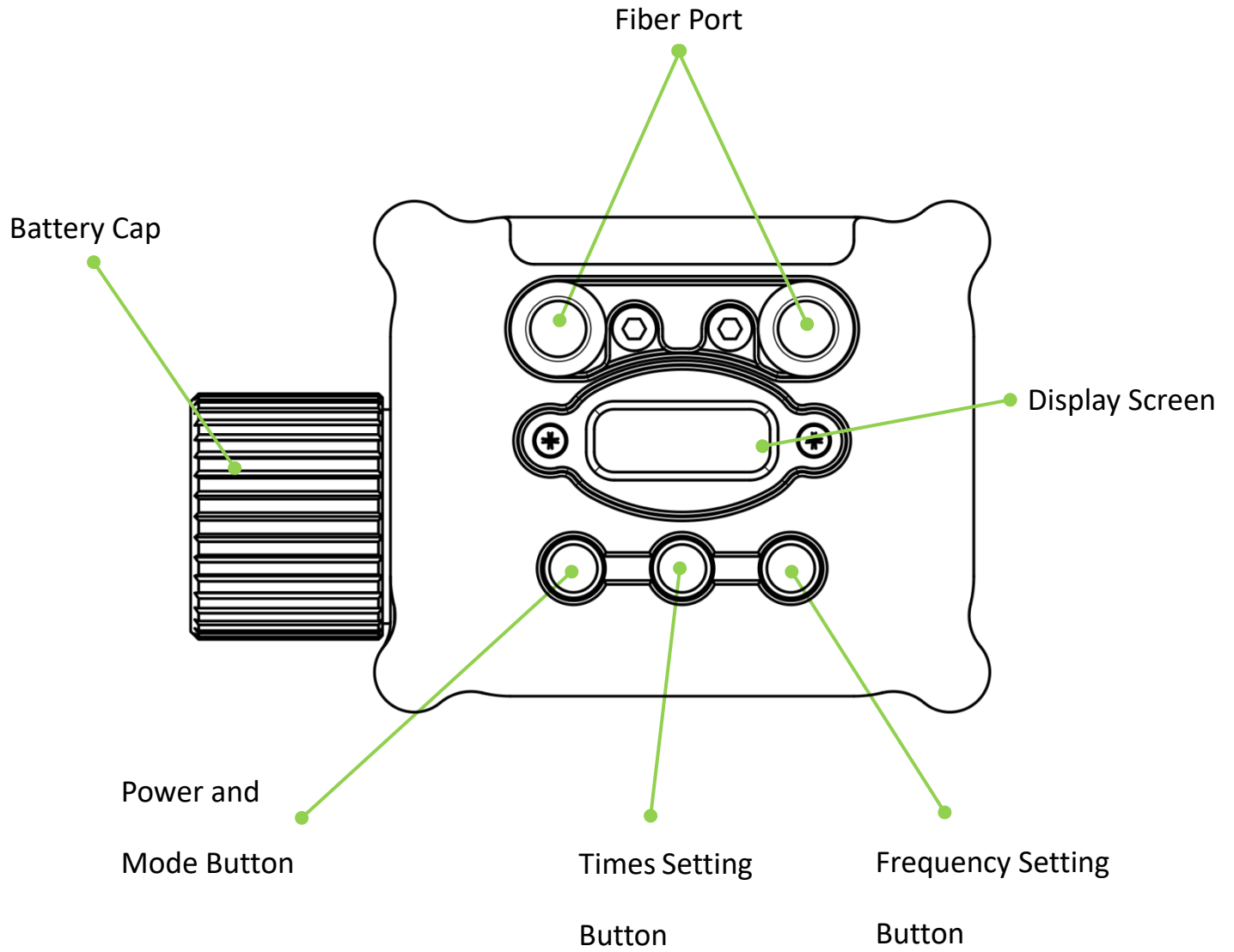
<https://www.marelux.co/>

Product Features

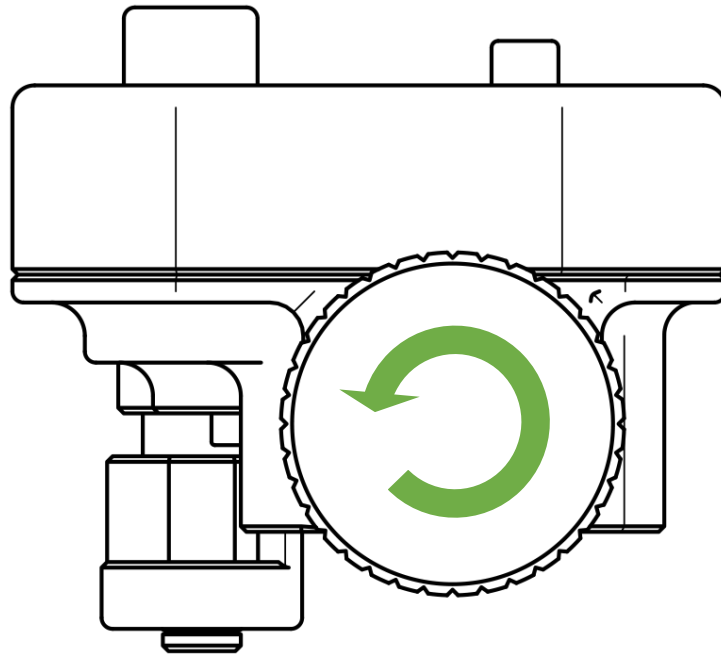
- Material: Anodized Aluminum Alloy
- Dimensions: 100 mm(W) x 60 mm(H) x 40 mm(D)
- Weight In Air: 258g
- Depth Rating: 100m
- Battery: 1x10440 lithium battery

Mirage 20 Multi-Flash, when used with a strobe, can capture unique slow-shutter motion blur photos.

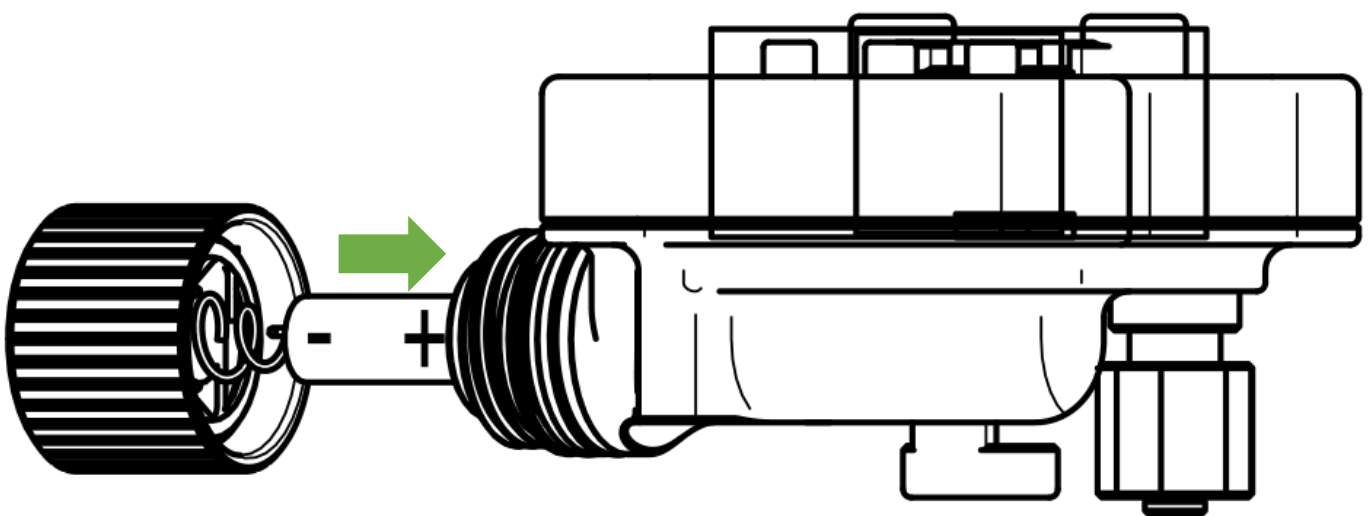
Parts Illustration



Battery Installation

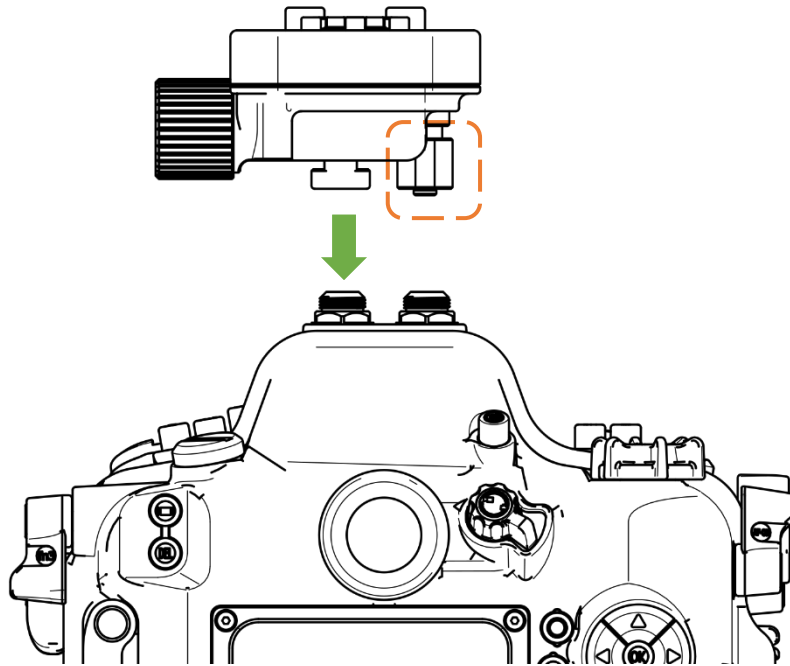


Rotate counter clockwise to remove the battery cap.

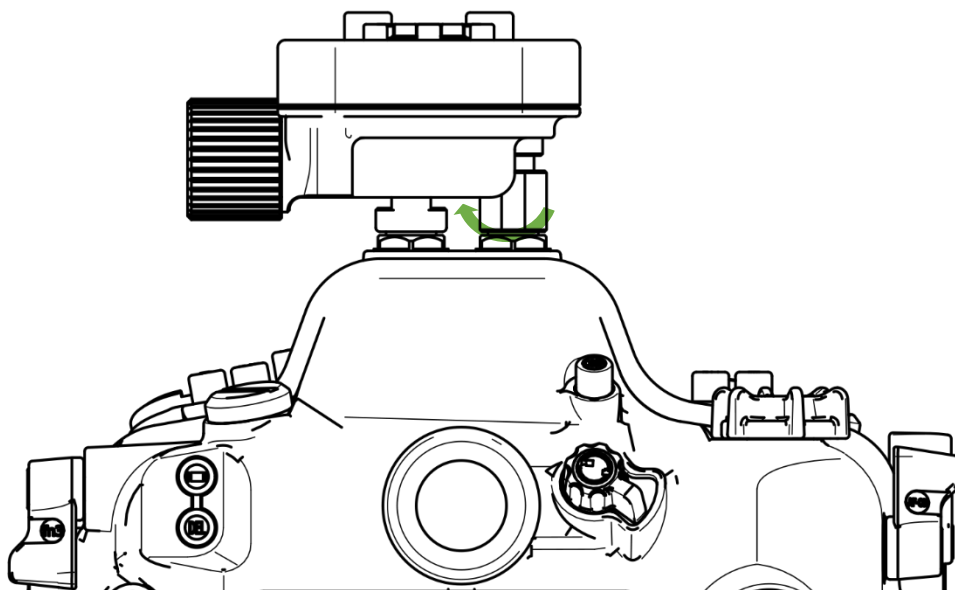


After inserting the battery as shown, rotate clockwise to tighten the battery cap.

Installation onto Housing

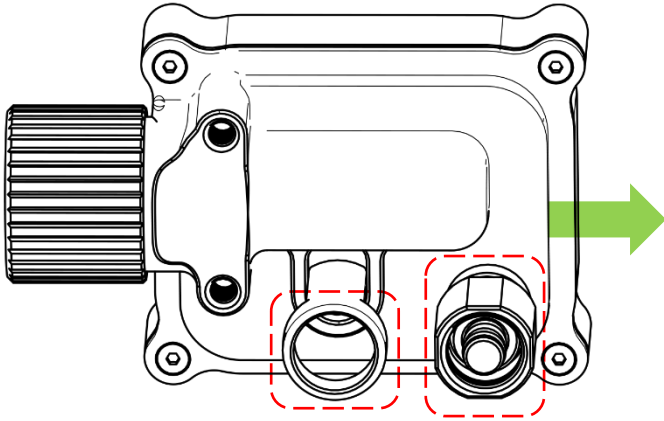


Insert the Mirage 20 into the camera housing's fiber port.

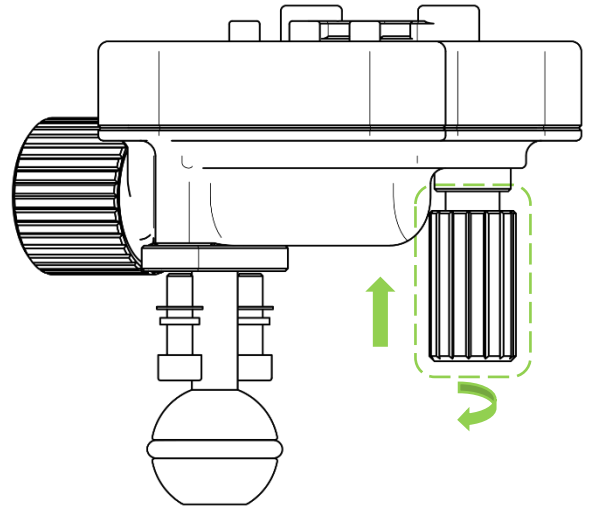


Rotate the bolt clockwise to tighten and secure it.

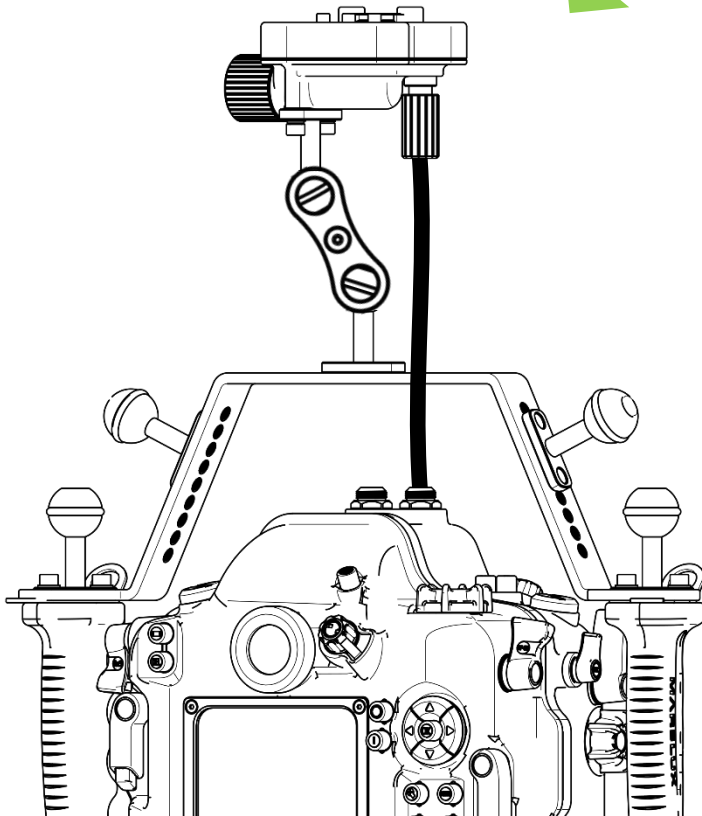
When your housing is not from MARELUX, please install it according to the method shown below.



Remove the components indicated in the diagram



Install the components shown in the diagram



After installing the ball mount, attach it to the housing with a clamp, and finally plug in the optical cable.

Operation

1. Power On

Press and hold the **Power Button** for 2 seconds to turn on the device.

2. Mode Switching

Press the **Mode Button** to switch between three working modes: **Norm (Normal) Mode**, **Test Mode**, and **Slow Mode**.

3. Function Description of Each Mode

3.1 Norm (Normal) Mode - Normal Flash Trigger Mode

Each time the camera shutter is triggered, the flash will be triggered once synchronously.

3.2 Test Mode - Working Status Test Mode

Press the dedicated **Test Button** to verify whether the device is in normal working condition.

3.3 Slow Mode - Parameter-Setting Flash Mode

1. First, press the **Frequency Setting Button** and **Times Setting Button** to configure the required parameters (e.g., flash frequency and flash times).
2. After parameter setting is completed, each time the camera shutter is triggered, the Mirage 20 will flash according to the pre-set parameters, thereby controlling the continuous flashing of the external flash.

Maintenance and Storage

1. After diving, make sure the Mirage 20 is locked and sealed, wash the Mirage 20 body with fresh water.
2. When immersed with fresh water, push each button few times, thus can help to let salt and sand out.
3. Use a soft cloth to wipe and clean the glass on the dome.
4. After each dive, clean the O-rings and check if there are damages on the O-rings.
5. Use sturdy and shock-proof case to carry the Mirage 20 and its accessories.
6. Don't leave the Mirage 20 for too long inside vehicle under exposure to sunlight or heat.
7. Please stop charging the battery when it is full to prevent overcharging and damage to the battery.
8. If don't use the Mirage 20 for long period, remove the batteries.
9. This product is prohibited for use or play by children under 10 years old.

Warranty

1. Marelux provides 2 years warranty for its housing body, cable (such as fiber cable and HDMI cable), and 1 year warranty for electronic parts and components made of silicon, rubber and plastic.
2. Marelux will keep components and parts for repair and maintenance in storage for 5 years after EOL of each model. Beyond this period, Marelux may not be able to provide repair service for those products.
3. Repair caused by following reasons will still be charged by marelux even during the 2 years warranty.
 - Damage from misuse, incorrect maintenance or storage not complying with the specifications and notices in this users' manual;
 - Damage from falling or inappropriate placement of the product;
 - Damage caused by repair, maintenance, dismantlement, modification or cleaning by any unauthorized vendor or service center by Marelux;
 - Product without authentic Marelux serial number, or with erased, distorted or falsified serial number;
 - Damage caused by usage of non Marelux recommended accessories, parts, components from other makers or suppliers, such as Flash Trigger, Cable, Dome Port, Extension Ring, Convertor and etc;
 - Damage caused by misuse or mistreatment by human, or by natural disaster or other situations of force majeure;
 - Malfunction or damage caused by erosion due to not cleaning the housing or accessories.
4. Batteries, lubricants and other consumable supplies are not in warranty.
5. All parts and components replaced from the housing and its accessories in the warranty service should belong to Marelux.
6. Marelux is not responsible for and will not compensate any collateral damages or financial losses caused by using Marelux products, such as income or fees related to the users of Marelux products.

- Warranty is only provided to products sold inside the service territory of the distributor or reseller.
- Products purchased and used for rental business are not included in warranty.
- Products will lose warranty immediately after unauthorized repair or modification.
- The warranty terms above are made for Marelux customers to conduct free warranty service and repair and have no restriction to any legal rights that customers shall possess.