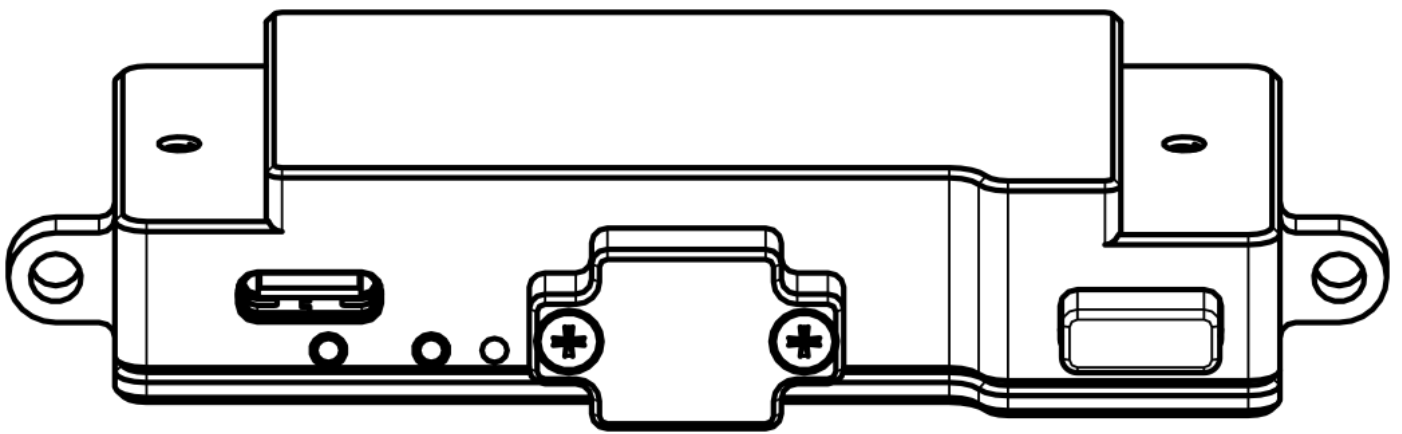


# MARELUX

## Remote Shutter Module



## User Manual

Please read this user manual carefully before starting to use the product, and use the product properly based on the thorough understanding of this user manual.

<https://www.marelux.co/>

# Tech Specs

Material: POM

Dimensions: 72mm(W) 30mm(H) 30mm(D)

Weight in Air: 37.5g

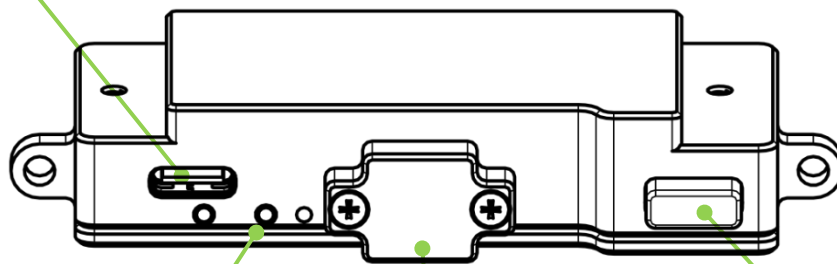
Effective receiving distance : 10 meters

Optical signal receiving angle : 140 degrees

Equipped with a built-in battery that supports charging via the USB-C interface

# Parts Illustration

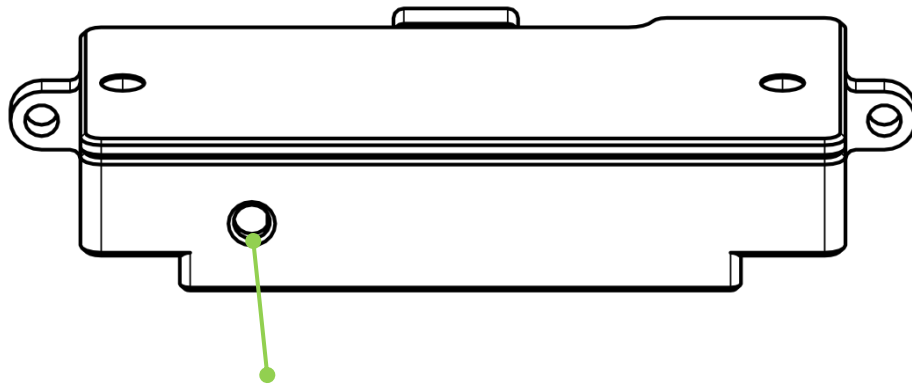
USB Type-C charging port



Indicator light

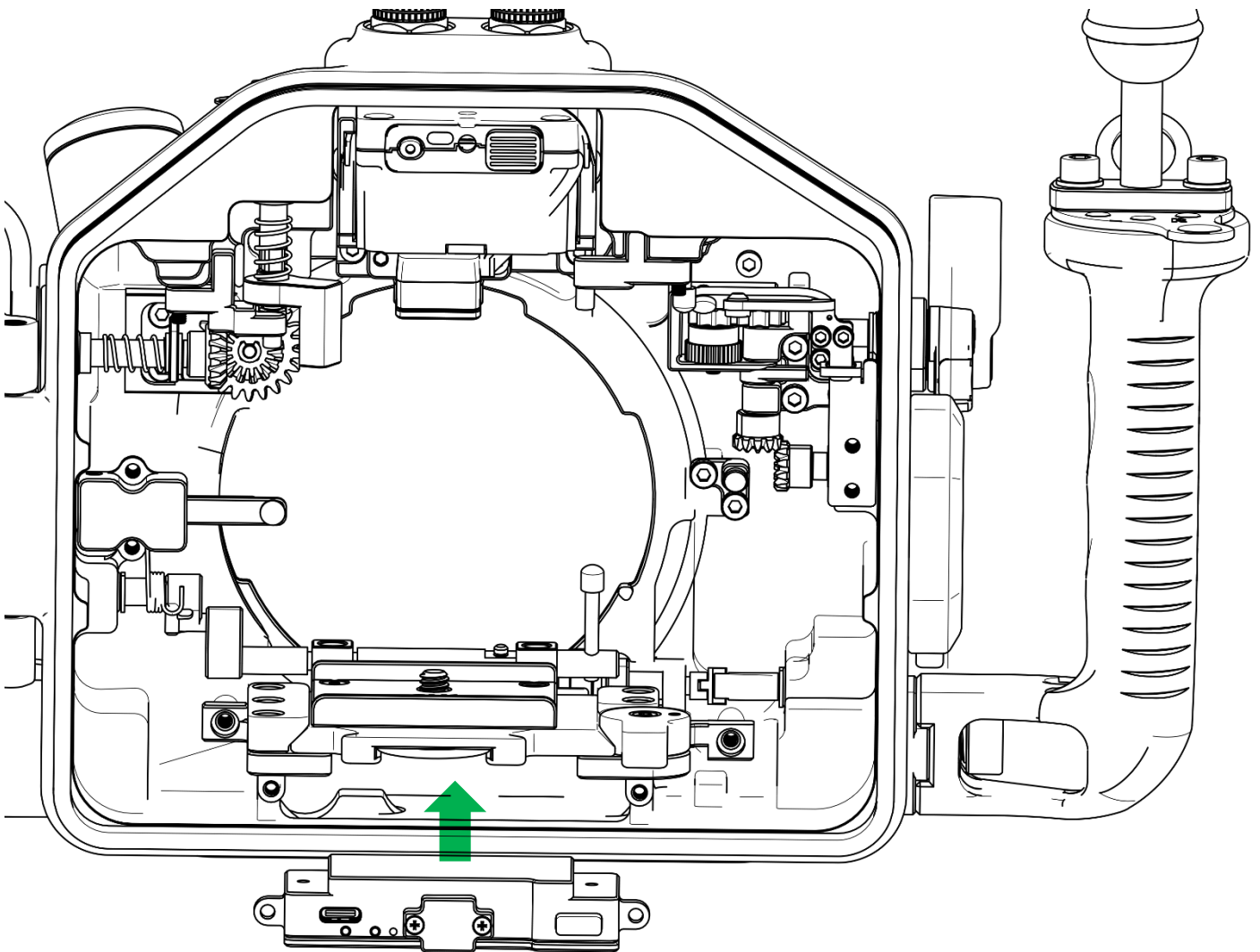
Sensor

Power button

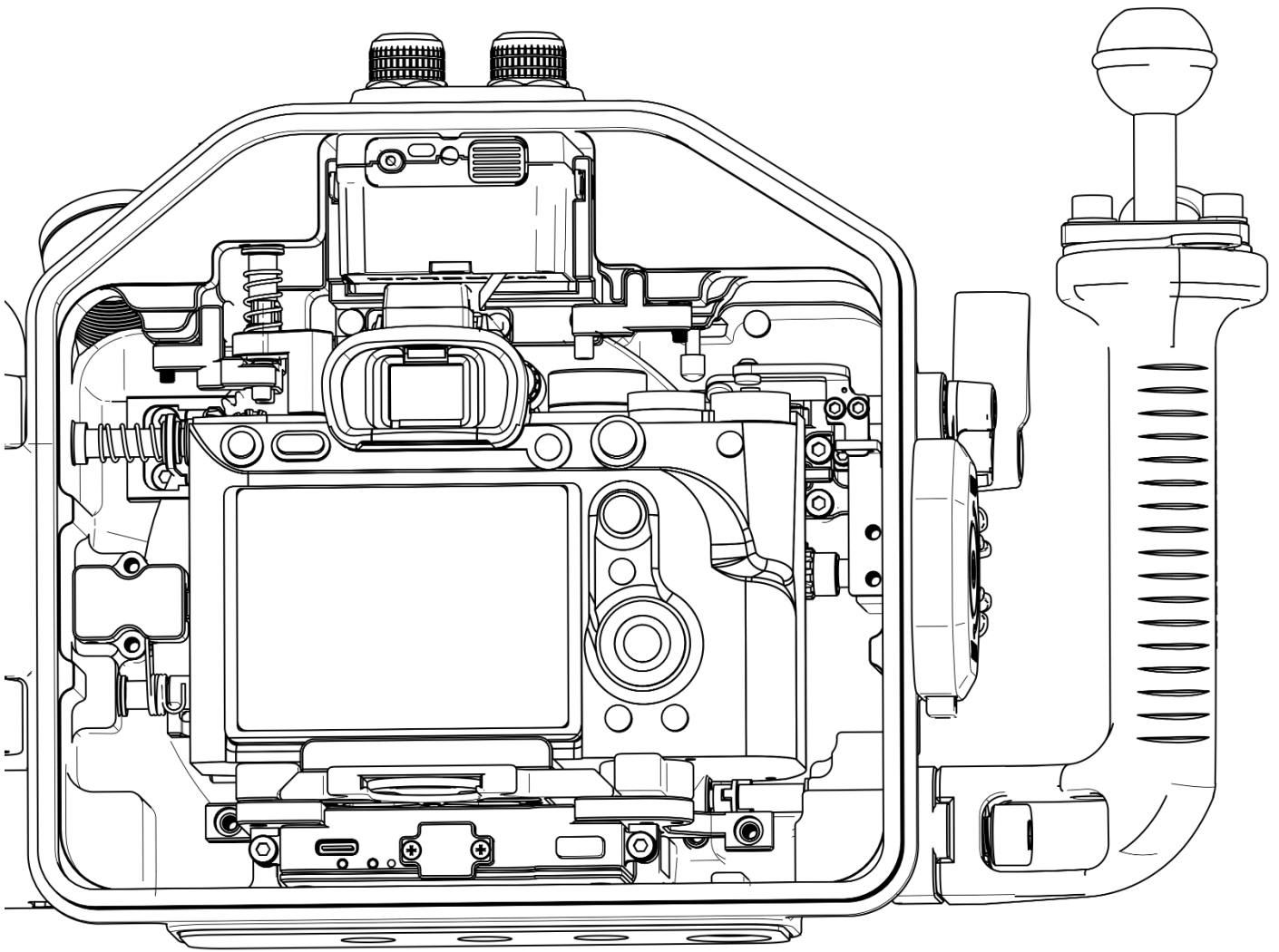


Shutter release cable port

## Installation



For the Wireless Shutter Module: Insert the shutter release cable, then install the module into the bottom slot of the housing quick-release plate.



Secure the module with screws. Insert the shutter release cable into the camera and then install the camera into the housing.

## Usage

1. Press the power button to turn the device on or off.
2. Use the 42703 Artemis 4500 RMT to remotely control the camera shutter.
3. When the battery is low, connect the USB Type-C cable to the USB Type-C charging port for charging.